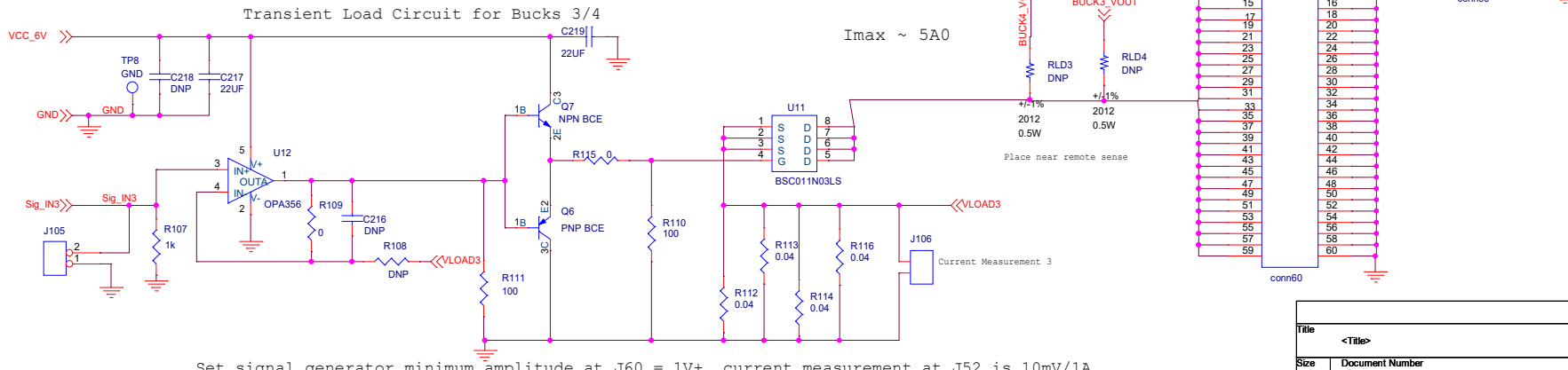
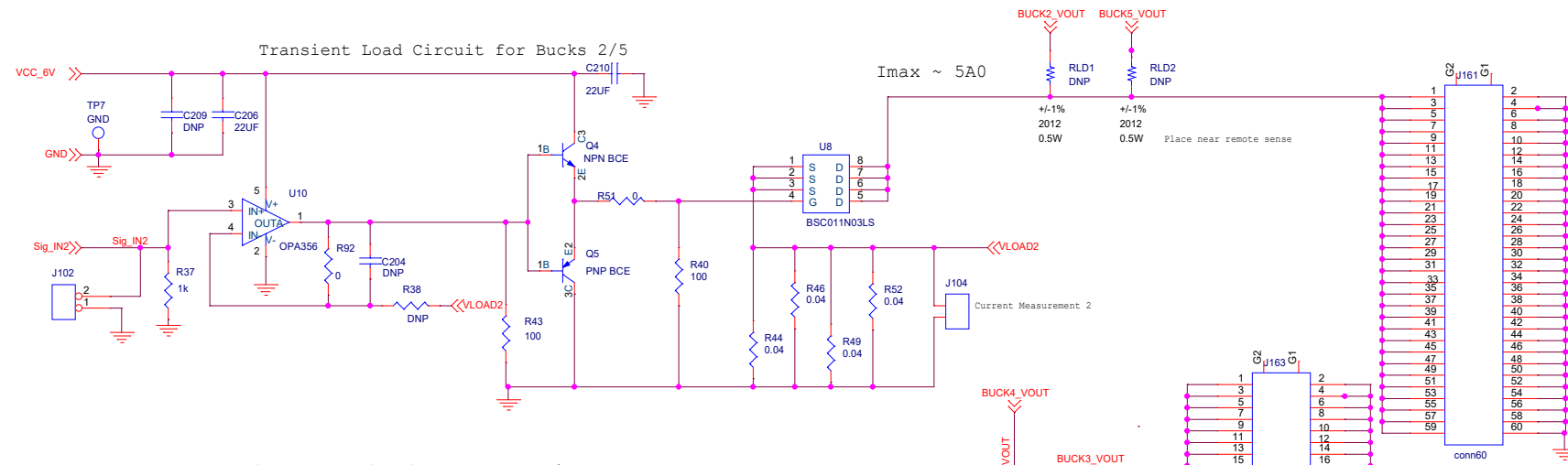
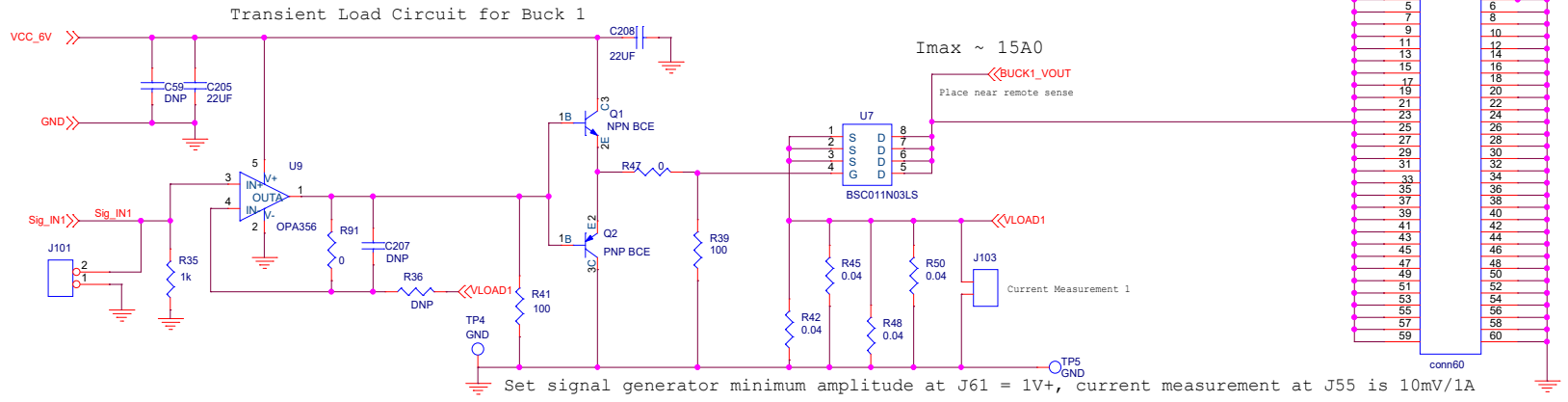
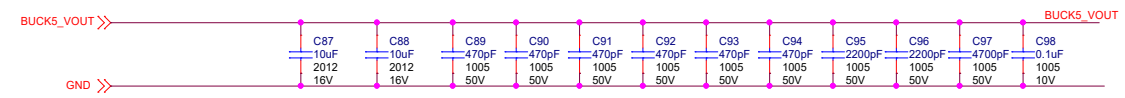
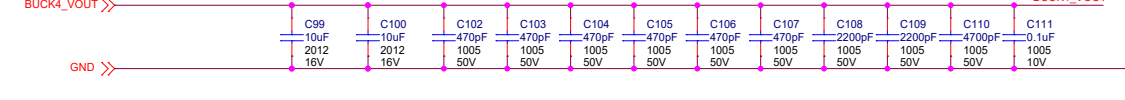
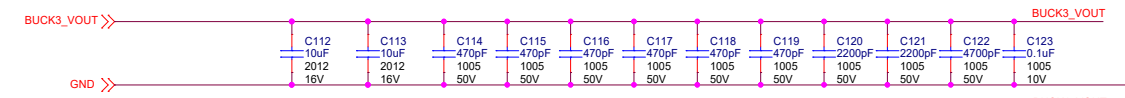
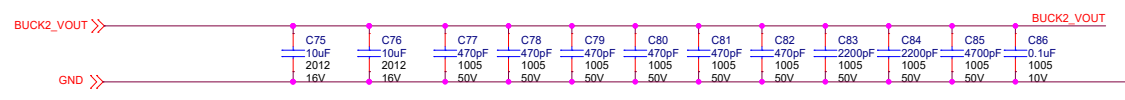
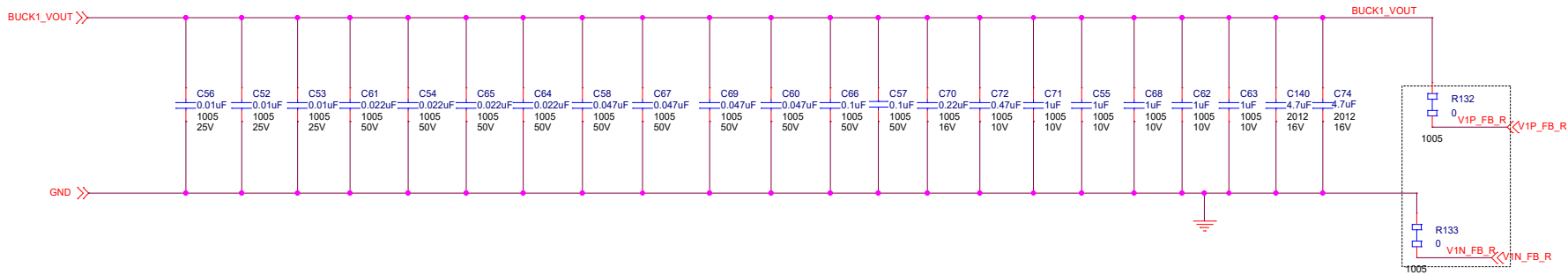


Ref	Value	Location
R1	10k	U1A
R2	10k	U1B
R3	10k	U1C
R4	10k	U1D
R5	10k	U1E
R6	10k	U1F
R7	10k	U1G
R8	10k	U1H
R9	10k	U1I
R10	10k	U1J
R11	10k	U1K
R12	10k	U1L
R13	10k	U1M
R14	10k	U1N
R15	10k	U1O
R16	10k	U1P
R17	10k	U1Q
R18	10k	U1R
R19	10k	U1S
R20	10k	U1T
R21	10k	U1U
R22	10k	U1V
R23	10k	U1W
R24	10k	U1X
R25	10k	U1Y
R26	10k	U1Z
R27	10k	U2A
R28	10k	U2B
R29	10k	U2C
R30	10k	U2D
R31	10k	U2E
R32	10k	U2F
R33	10k	U2G
R34	10k	U2H
R35	10k	U2I
R36	10k	U2J
R37	10k	U2K
R38	10k	U2L
R39	10k	U2M
R40	10k	U2N
R41	10k	U2O
R42	10k	U2P
R43	10k	U2Q
R44	10k	U2R
R45	10k	U2S
R46	10k	U2T
R47	10k	U2U
R48	10k	U2V
R49	10k	U2W
R50	10k	U2X
R51	10k	U2Y
R52	10k	U2Z
R53	10k	U3A
R54	10k	U3B
R55	10k	U3C
R56	10k	U3D
R57	10k	U3E
R58	10k	U3F
R59	10k	U3G
R60	10k	U3H
R61	10k	U3I
R62	10k	U3J
R63	10k	U3K
R64	10k	U3L
R65	10k	U3M
R66	10k	U3N
R67	10k	U3O
R68	10k	U3P
R69	10k	U3Q
R70	10k	U3R
R71	10k	U3S
R72	10k	U3T
R73	10k	U3U
R74	10k	U3V
R75	10k	U3W
R76	10k	U3X
R77	10k	U3Y
R78	10k	U3Z
R79	10k	U4A
R80	10k	U4B
R81	10k	U4C
R82	10k	U4D
R83	10k	U4E
R84	10k	U4F
R85	10k	U4G
R86	10k	U4H
R87	10k	U4I
R88	10k	U4J
R89	10k	U4K
R90	10k	U4L
R91	10k	U4M
R92	10k	U4N
R93	10k	U4O
R94	10k	U4P
R95	10k	U4Q
R96	10k	U4R
R97	10k	U4S
R98	10k	U4T
R99	10k	U4U
R100	10k	U4V
R101	10k	U4W
R102	10k	U4X
R103	10k	U4Y
R104	10k	U4Z
R105	10k	U5A
R106	10k	U5B
R107	10k	U5C
R108	10k	U5D
R109	10k	U5E
R110	10k	U5F
R111	10k	U5G
R112	10k	U5H
R113	10k	U5I
R114	10k	U5J
R115	10k	U5K
R116	10k	U5L
R117	10k	U5M
R118	10k	U5N
R119	10k	U5O
R120	10k	U5P
R121	10k	U5Q
R122	10k	U5R
R123	10k	U5S
R124	10k	U5T
R125	10k	U5U
R126	10k	U5V
R127	10k	U5W
R128	10k	U5X
R129	10k	U5Y
R130	10k	U5Z

Place on back side of board



Title		
<Title>		
Size A3	Document Number <Doc>	Rev <Rev Doc>
Date: Friday, May 20, 2022	Sheet 1 of 1	



Title		
<Title>		
Size	Document Number	Rev
A3	<Doc>	<Rev>
Date:	Friday, May 20, 2022	Sheet 1 of 1